

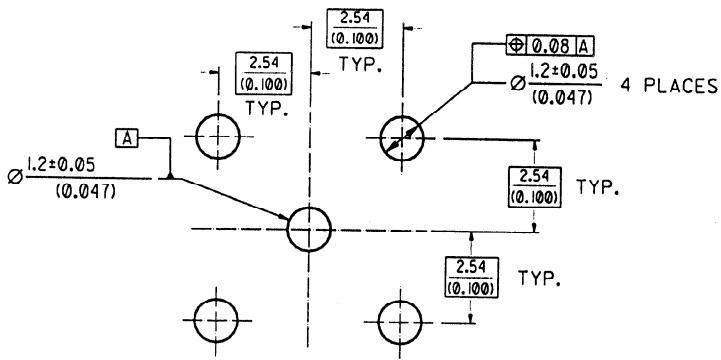
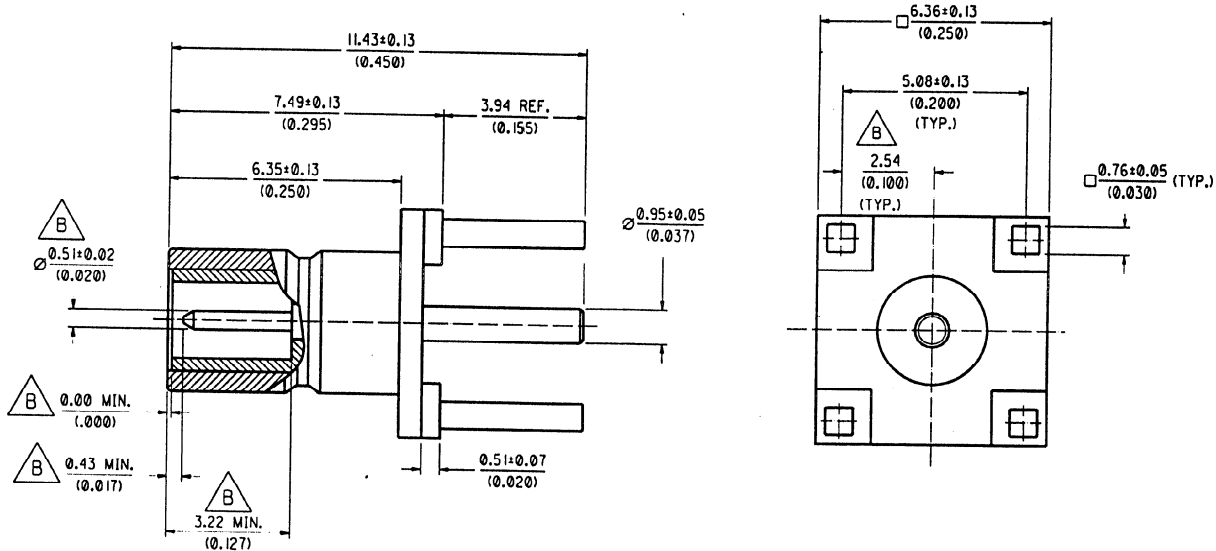
ENC. NO. SDA-731000272

EDP NO.

SCALE: 4R 1:1

CAD FILE NO. S1000272.DGN

DO NOT SCALE DRAWING



RECOMMENDED PCB MOUNTING HOLE

CONSTRUCTION :

BODY -----BRASS
 DIELECTRIC -----TEFLON
 CONTACT -----BRASS

FINISH:

BODY -----GOLD PLATING
 CONTACT -----GOLD PLATING

MECHANICAL AND ELECTRICAL CHARACTERISTICS:

PER PRODUCT SPECIFICATION: PS-73598-0099
 (INSERTION LOSS IS NOT APPLICABLE)

MATERIAL AND FINISHES:

PER PRODUCT SPECIFICATION: PS-73598-0099

PACKAGING :

TRAY

MATERIAL :		SEE NOTE		MOLEX TAIWAN LTD. (R.F. DIVISION)
FINISH :		SEE NOTE		
SCALE : 6:1		UNIT : mm(INCH)		GENERAL TOLERANCES ANGLE : + 3° DIM. : ± 0.25 (± 0.01)
DRAWN BY : IRIS WANG		95/11/03		DRW. NO. : SDA-73100-0207
LTR. REVISION RECORD		DATE		REV. B
B RELEASE TO MANUFACTURING ETC. 9522 IRIS 95/12/16 A1 RELEASE TO TOOLING 9520 IRIS 95/11/16		CHK'D BY : <i>[Signature]</i> APPR'D BY : <i>[Signature]</i>		TITLE : 50 OHM SMB STRAIGHT JACK PCB RECEPTACLE
STANDARD ITEM		<input type="checkbox"/> YES <input checked="" type="checkbox"/> NO		SHEET 1 OF 1

THIS DRAWING CONTAINS INFORMATION THAT IS PROPRIETARY TO MOLEX TAIWAN AND SHOULD NOT BE USED WITHOUT WRITTEN PERMISSION

MXT, So - 13

SMB-J/PCB